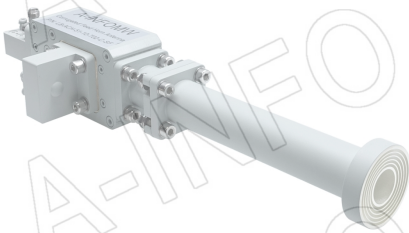


For reference only. See data sheet for the detailed specifications.

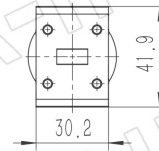
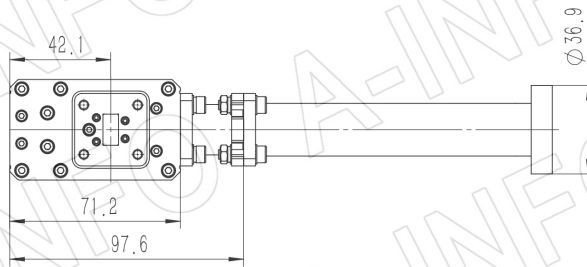
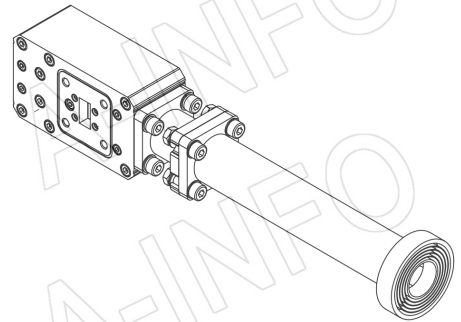
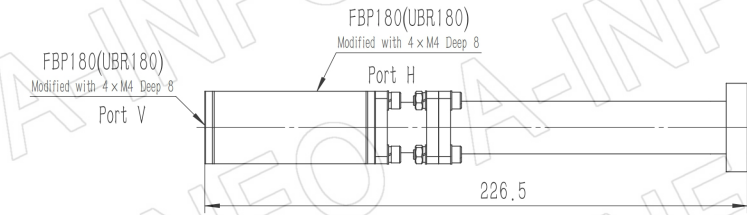
## Technical Specification



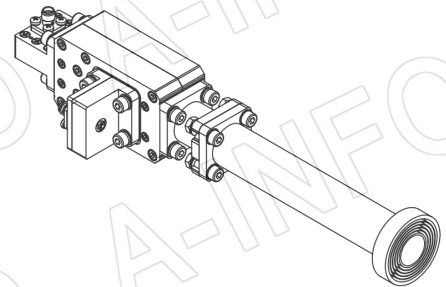
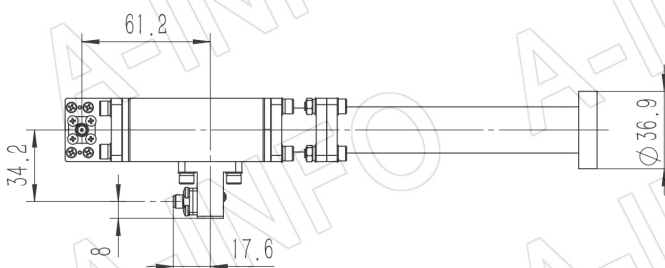
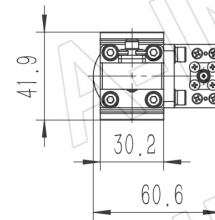
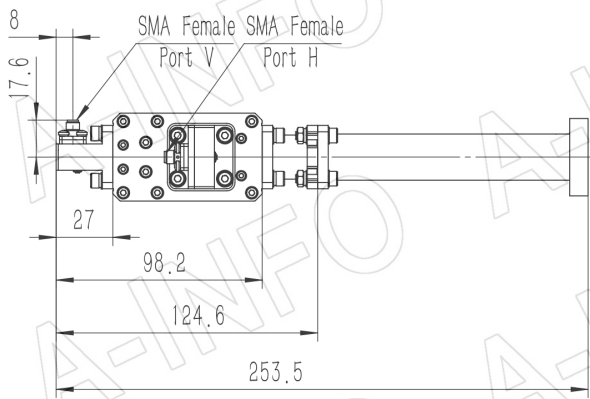
Frequency Range(GHz)	15.0 – 22.0	
Waveguide	WR51	
Gain(dBi)	10 Typ.	
Polarization	Dual Linear	
3dB Beamwidth(deg)	E Plane:	60 Typ.
	H Plane:	60 Typ.
10dB Beamwidth(deg)	E Plane:	109 Typ.
	H Plane:	110 Typ.
Cross Pol. Isolation(dB)	40 Typ.	
Port to Port Isolation(dB)	50 Typ. ; 40 Min.	
VSWR	A Type:	1.50:1 Typ.
	C Type:	1.60:1 Typ.
Output	A Type:	FBP180(UBR180) (Modified with 4xM4 Deep 8)
	C Type:	SMA-Female
Material	Al	
Finish	Silver Plated, Gray Paint	
Size(mm)	A Type:	36.9 x 41.9 x 226.5
	C Type:	60.5 x 41.9 x 253.5
Net Weight(Kg)	A Type:	0.35 Around
	C Type:	0.56 Around

## Outline Drawing (Size: mm)

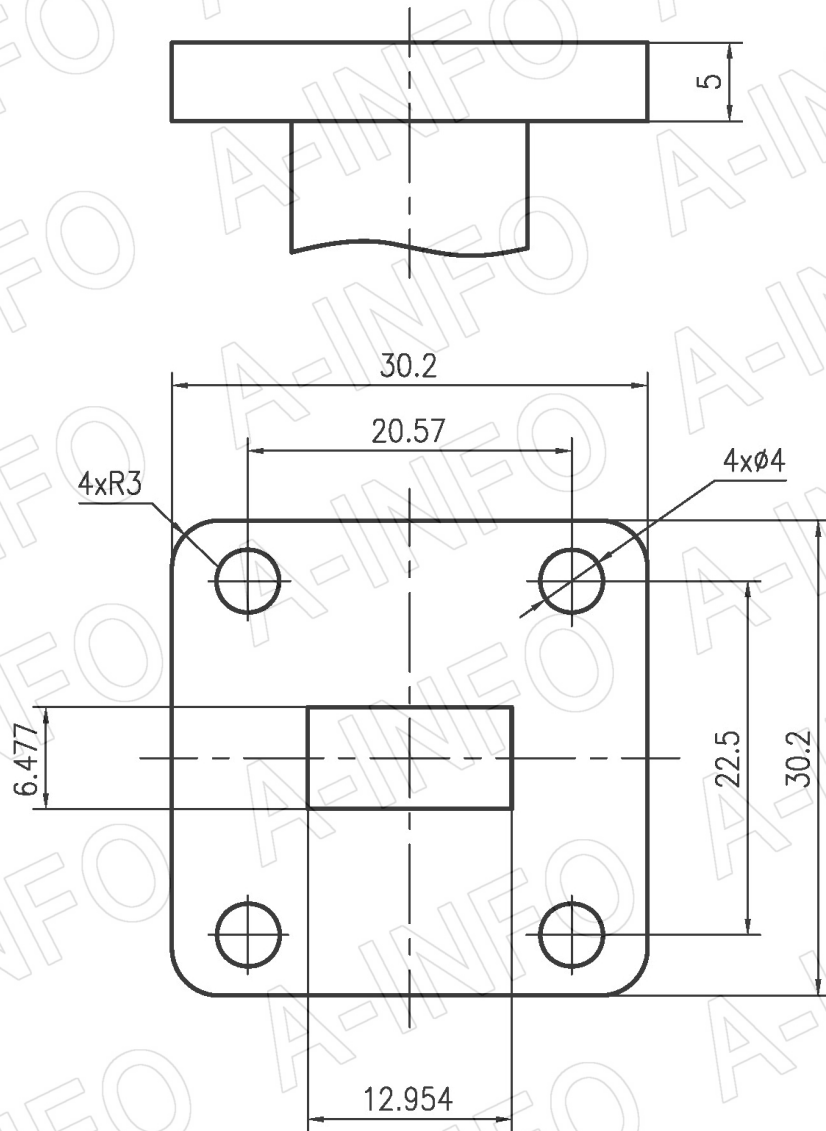
FBP180 Output (P/N: LB-ACH-51-10-T02-A)



SMA-Female Output (P/N: LB-ACH-51-10-T02-C-SF)



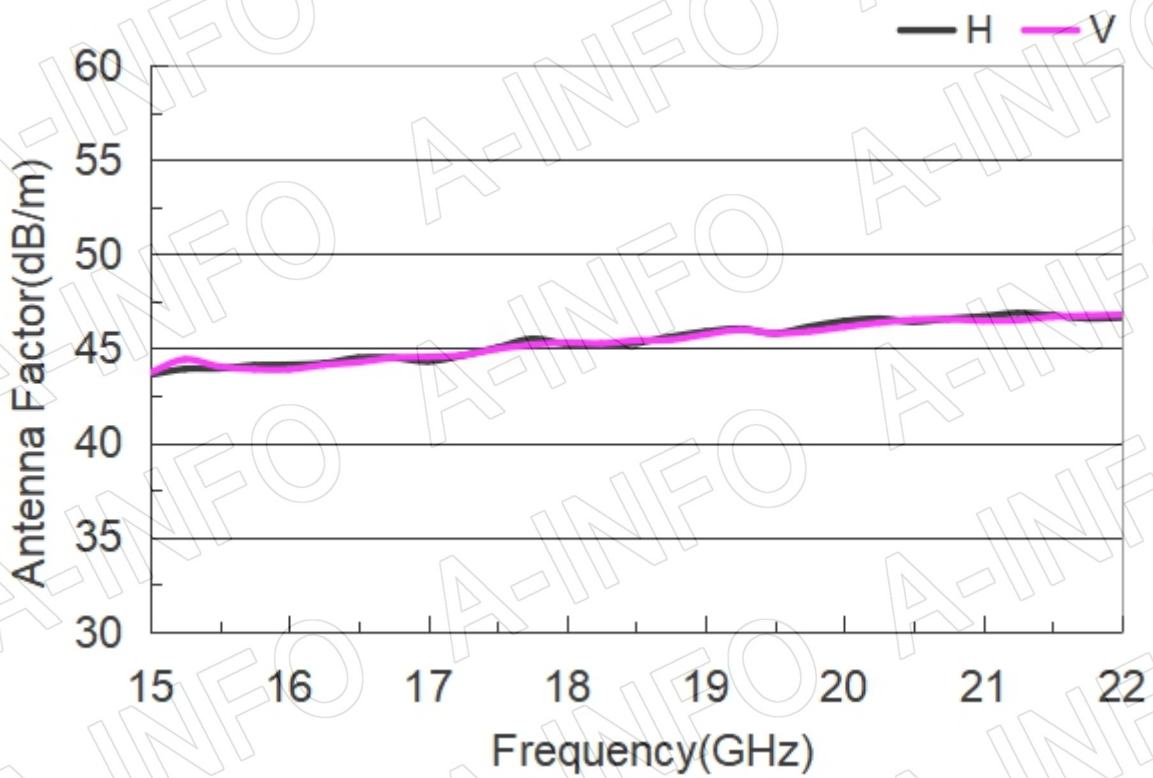
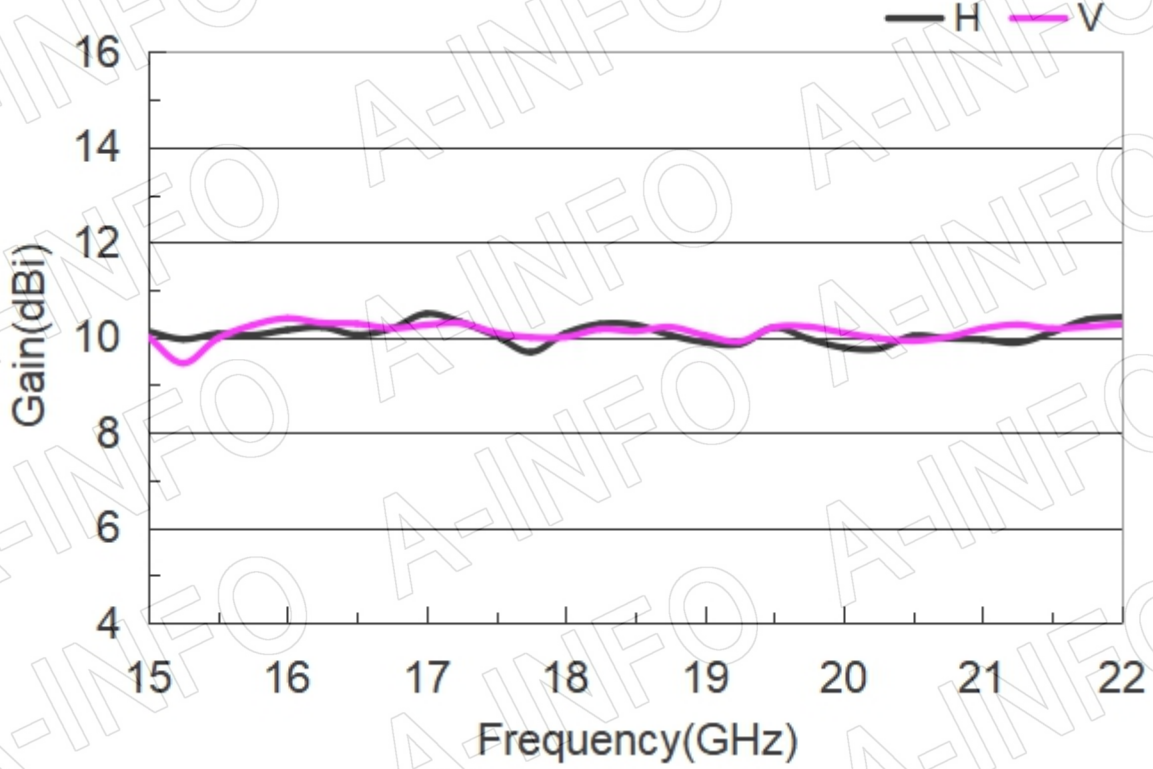
## Flange Drawing (Size: mm)



**FBP180**

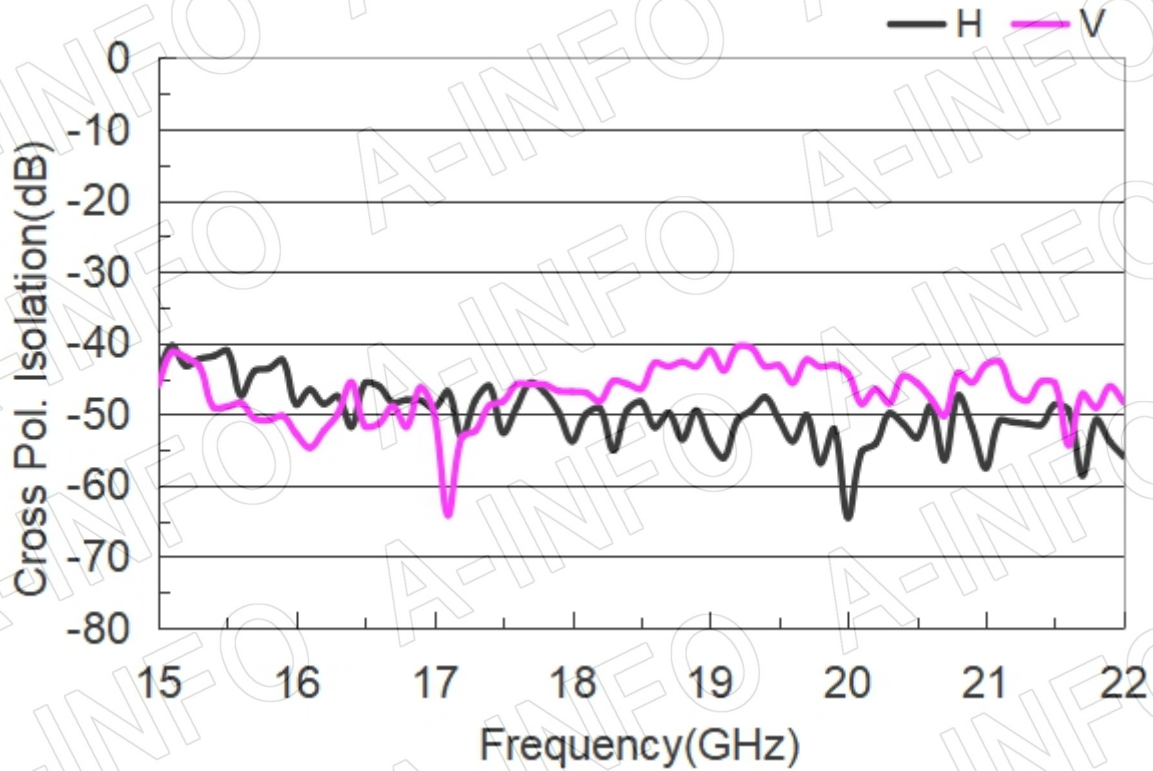
## Test Results

### 1. Gain & Antenna Factor

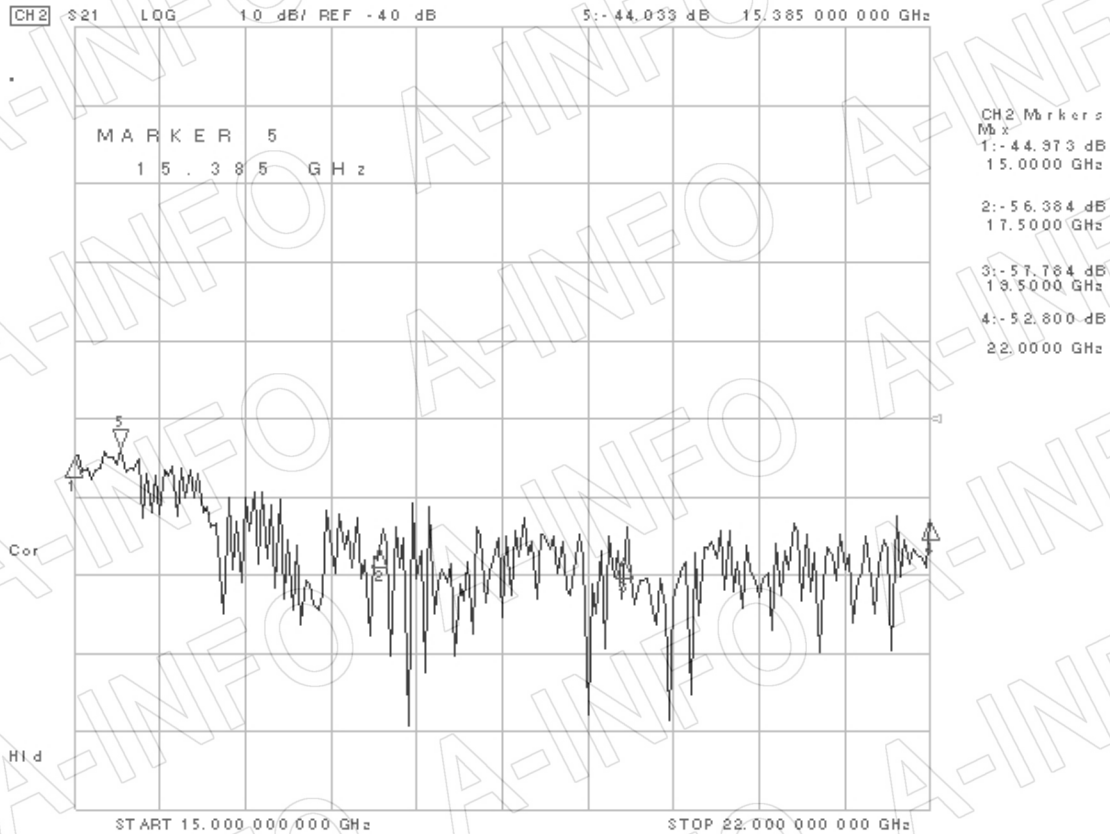




## 2. Cross Polarization Isolation

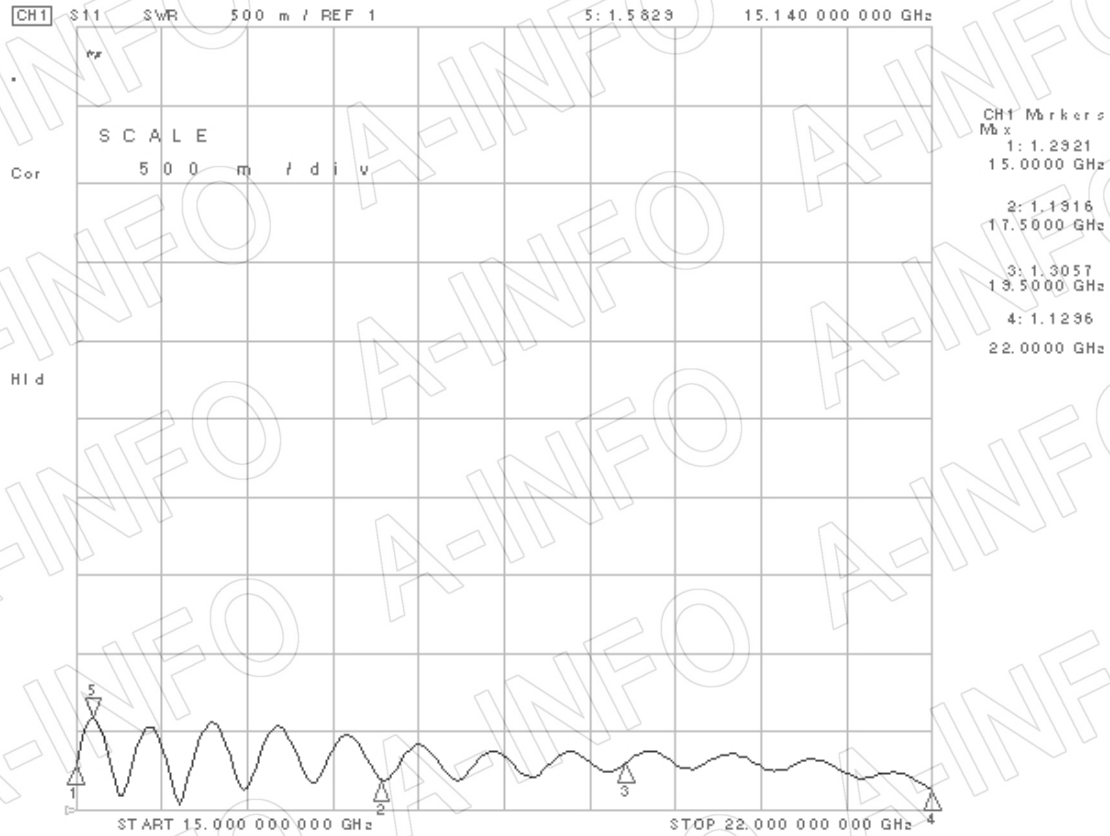


## 3. Port to Port Isolation

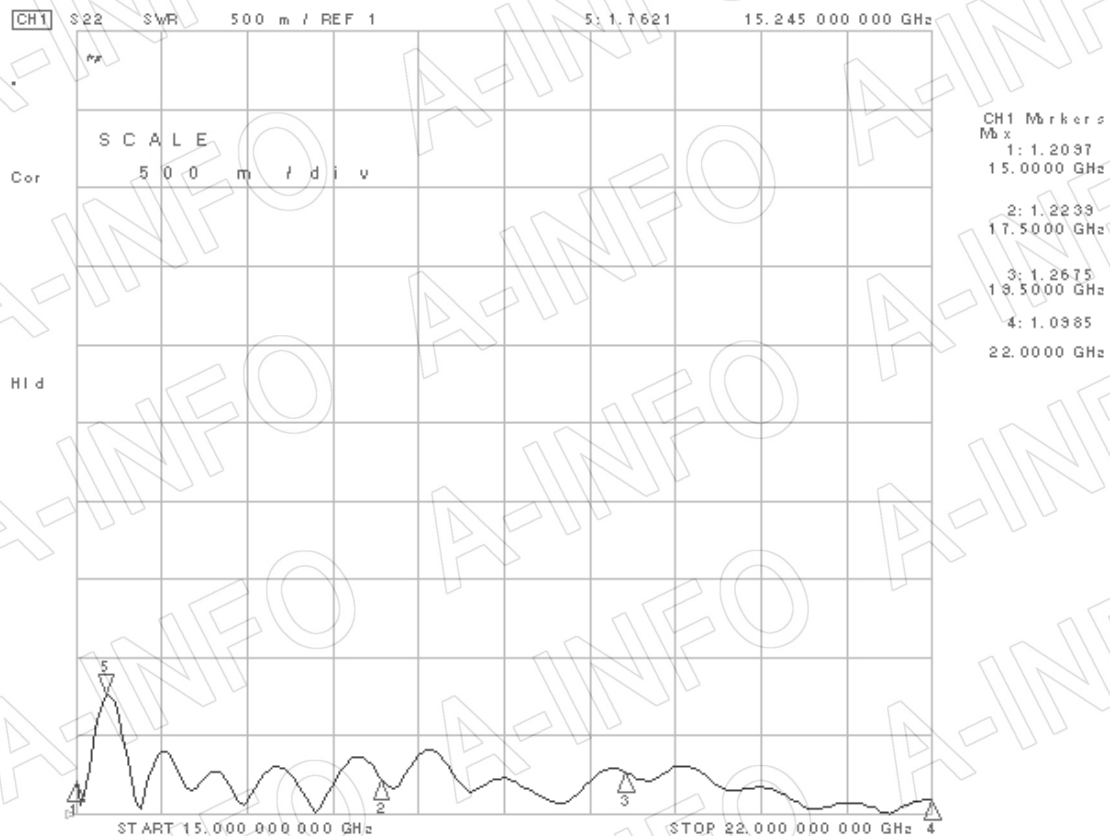


## 4. VSWR\_A Type

### Port-H

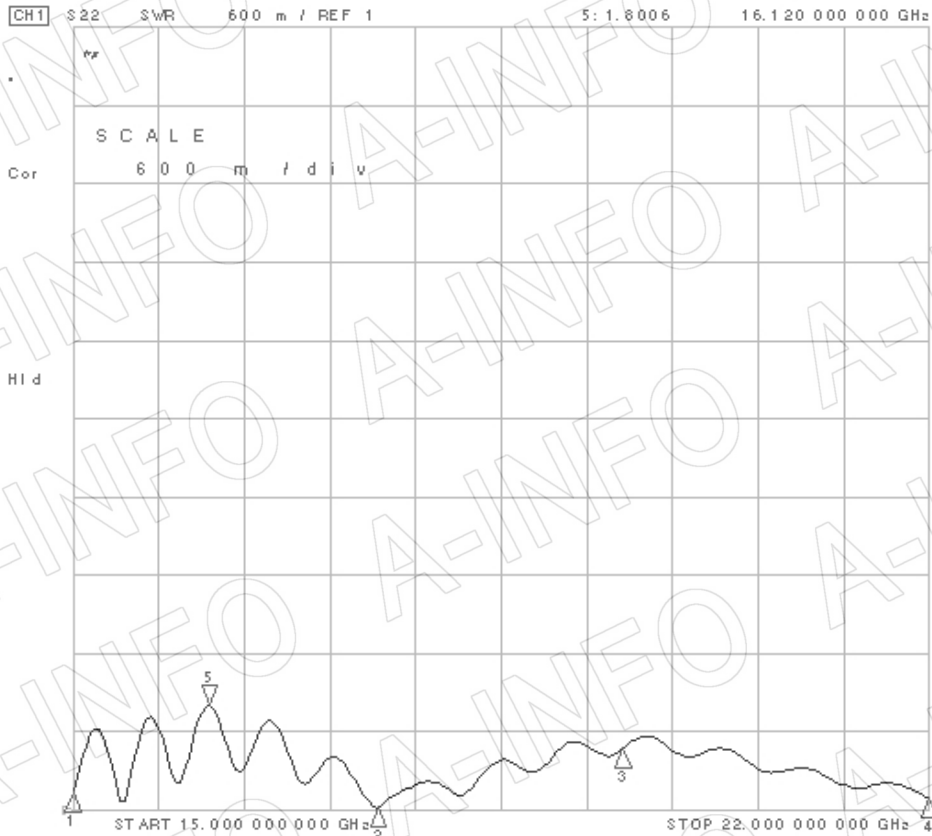


### Port-V

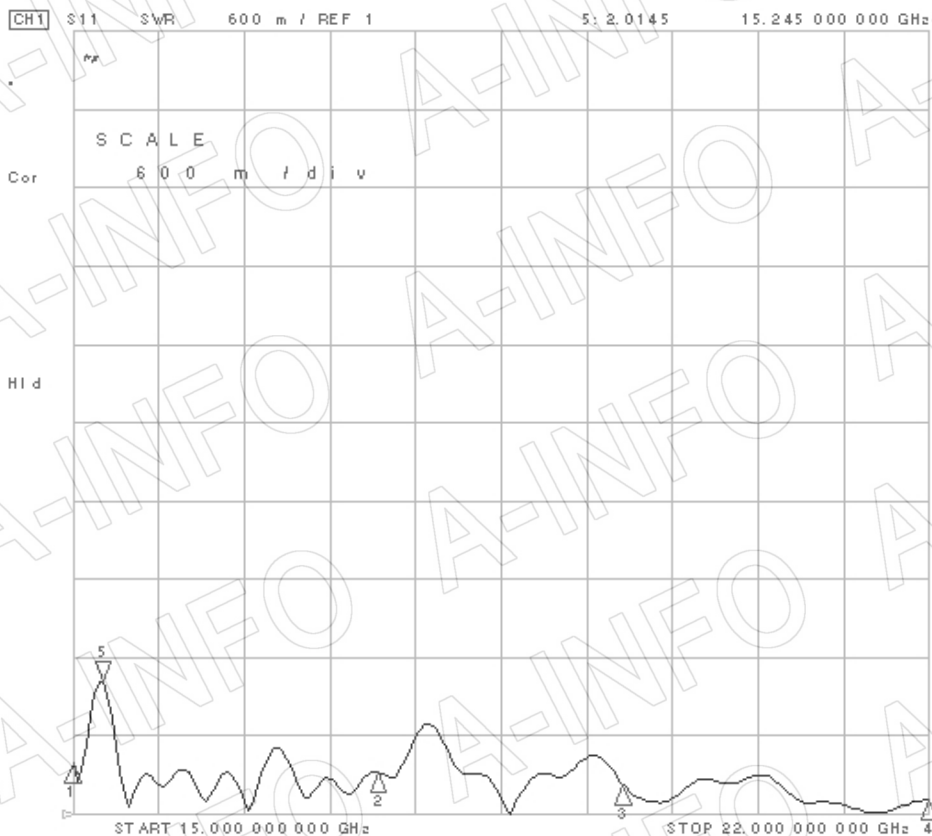


## VSWR\_C Type

### Port-H



### Port-V





## 5. Pattern

